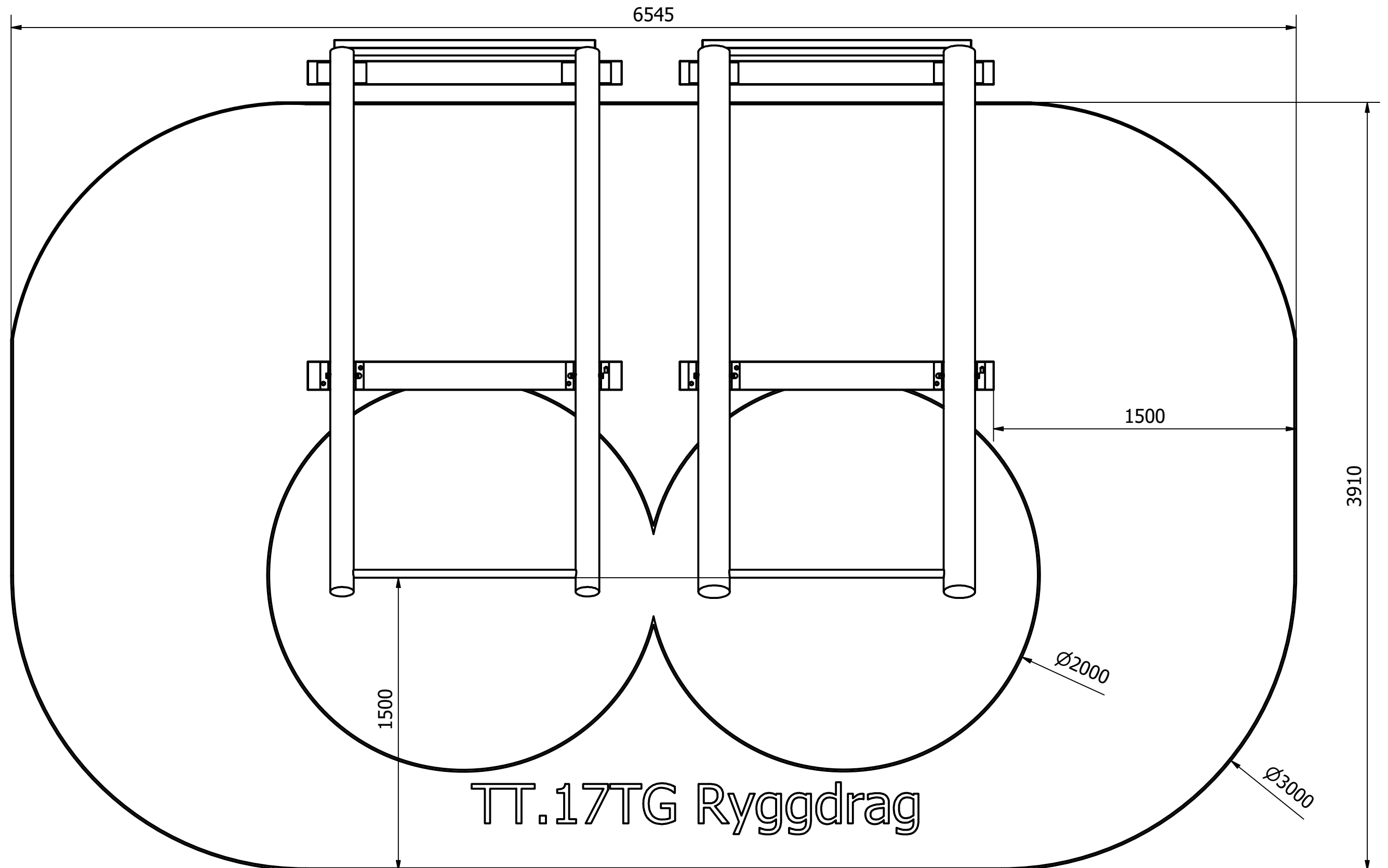
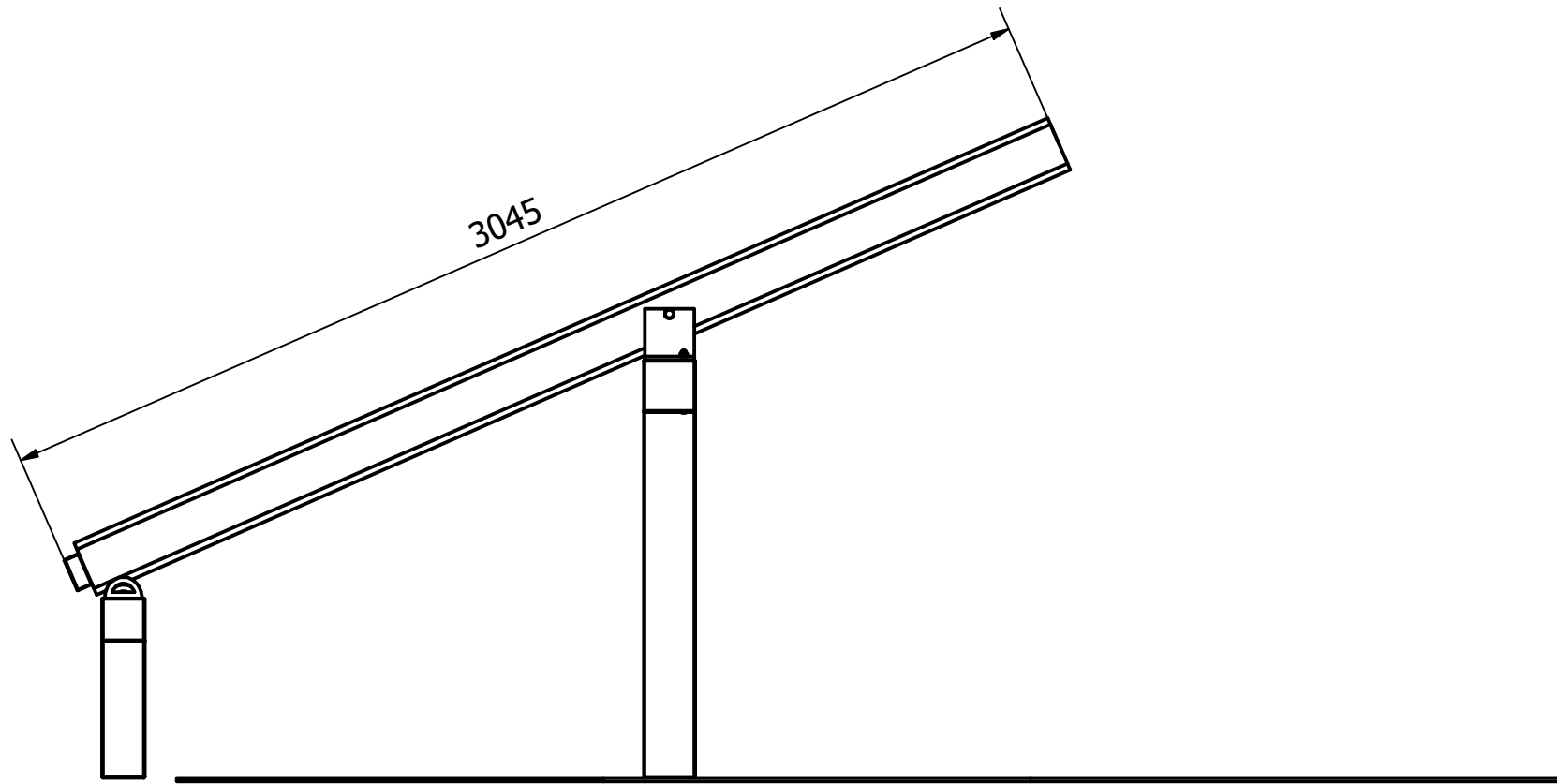


Top View (1:20)



Side View (1:20)



Front View (1:20)

